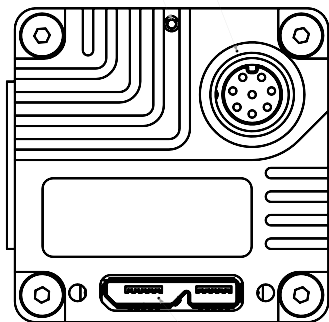


I/O connector

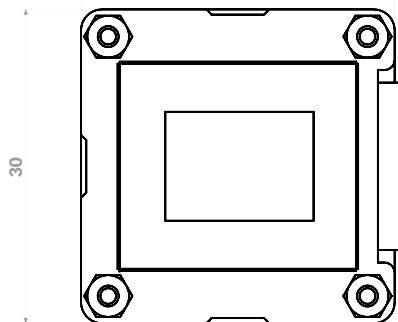
Status led



USB3

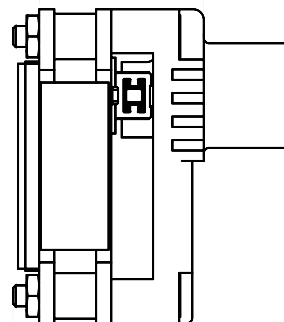
30

30

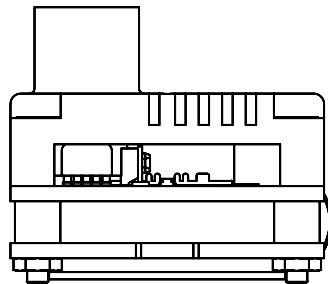


24

15,8



26,50



Head/CPU interface  
Kapton cable

