



Cables catalog

Industrial grade cables for machine vision applications

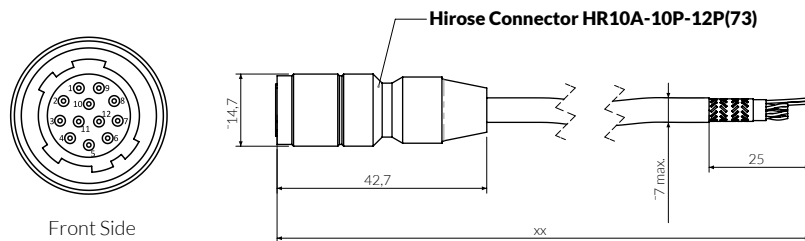
01 I/O Cables

	Type	Length	Connectors	Compatibility	Note
NIO-3	Shielded I/O cable	3 m	12 pin Hirose / open	N - C - Co	6 twisted pairs + shield
NIO-5	Shielded I/O cable	5 m	12 pin Hirose / open	N - C - Co	6 twisted pairs + shield
NIO-10	Shielded I/O cable	10 m	12 pin Hirose / open	N - C - Co	6 twisted pairs + shield
AIO-03	Open wires I/O cable	0,3 m	MOLEX male connector / open	A	7 wires

N: NECTA | C: CELERA | Co: CELERA One | A: ARIA

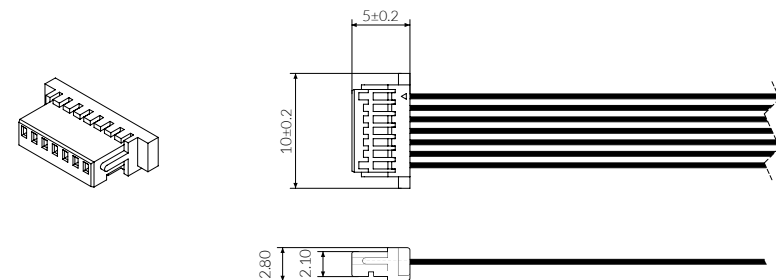
NIO-X

Shielded I/O cable, 12pin Hirose plug to open wires. Available lengths: 3 / 5 / 10 m.



AIO-03

I/O cable, MOLEX male connector to open wires, 0,3 m.



"x" in product names refers to cable length. Different cable lengths have specific part number.

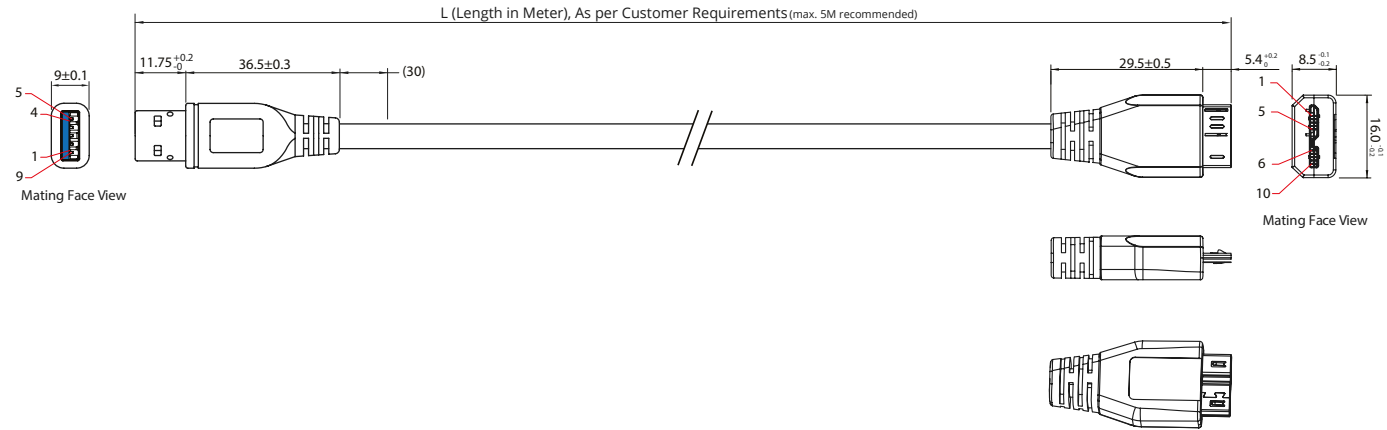
02 USB3 cables

	Type	Length	OD ø	Connectors	Gender	Screws	Chain	Compatibility
CBL-USB3-AUB-MM-2MO	USB 3.2 Gen 1x1 copper cable	2 m	6,2 mm	A/ MicroB	Male/ Male	○ / ○	×	A
CBL-USB3-AUB-MM-3MO	USB 3.2 Gen 1x1 copper cable	3 m	6,2 mm	A/ MicroB	Male/ Male	○ / ●	×	A
CBL-USB3-AUB-MM-5MO	USB 3.2 Gen 1x1 copper cable	5 m	6,2 mm	A/ MicroB	Male/ Male	○ / ○	×	A
CBL-USB3-AUBS-MM-1MO	USB 3.2 Gen 1x1 copper cable	1 m	6,2 mm	A/ MicroB	Male/ Male	○ / ●	×	N - C - Co
CBL-USB3-AUBS-MM-3MO	USB 3.2 Gen 1x1 copper cable	3 m	6,2 mm	A/ MicroB	Male/ Male	○ / ●	×	N - C - Co
CBL-USB3-AUBS-MM-5MO	USB 3.2 Gen 1x1 copper cable	5 m	6,2 mm	A/ MicroB	Male/ Male	○ / ●	×	N - C - Co
CBL-USB3-AUBS-MM-8MO	USB 3.2 Gen 1x1 copper cable	8 m	8,0 mm	A/ MicroB	Male/ Male	○ / ●	×	N - C - Co
CBL-AO-USB3-AUBS-MM-5MO	Active USB 3.2 Gen 1x1 optical cable	5 m	3,6 mm	A/ MicroB	Male/ Male	○ / ●	✓	N - C - Co
CBL-AO-USB3-AUBS-MM-10MO	Active USB 3.2 Gen 1x1 optical cable	10 m	3,6 mm	A/ MicroB	Male/ Male	○ / ●	✓	N - C - Co
CBL-AO-USB3-AUBS-MM-15MO	Active USB 3.2 Gen 1x1 optical cable	15 m	3,6 mm	A/ MicroB	Male/ Male	○ / ●	✓	N - C - Co
CBL-AO-USB3-AUBS-MM-20MO	Active USB 3.2 Gen 1x1 optical cable	20 m	3,6 mm	A/ MicroB	Male/ Male	○ / ●	✓	N - C - Co
CBL-AO-USB3-AUBS-MM-25MO	Active USB 3.2 Gen 1x1 optical cable	25 m	3,6 mm	A/ MicroB	Male/ Male	○ / ●	✓	N - C - Co
CBL-AO-USB3-AUBS-MM-30MO	Active USB 3.2 Gen 1x1 optical cable	30 m	3,6 mm	A/ MicroB	Male/ Male	○ / ●	✓	N - C - Co
CBL-AO-USB3-AUBS-MM-50MO	Active USB 3.2 Gen 1x1 optical cable	50 m	3,6 mm	A/ MicroB	Male/ Male	○ / ●	✓	N - C - Co
CBL-USB3-CUBS-MM-5MO	USB 3.2 Gen 1x1 copper cable	5 m	6,2 mm	C/ MicroB	Male/ Male	○ / ●	×	N - C - Co

*"Ayy" refers to angled cables configuration | N: NECTA | C: CELERA | Co: CELERA One | A: ARIA board-level | ●: connector with screws | ○: connector without screws

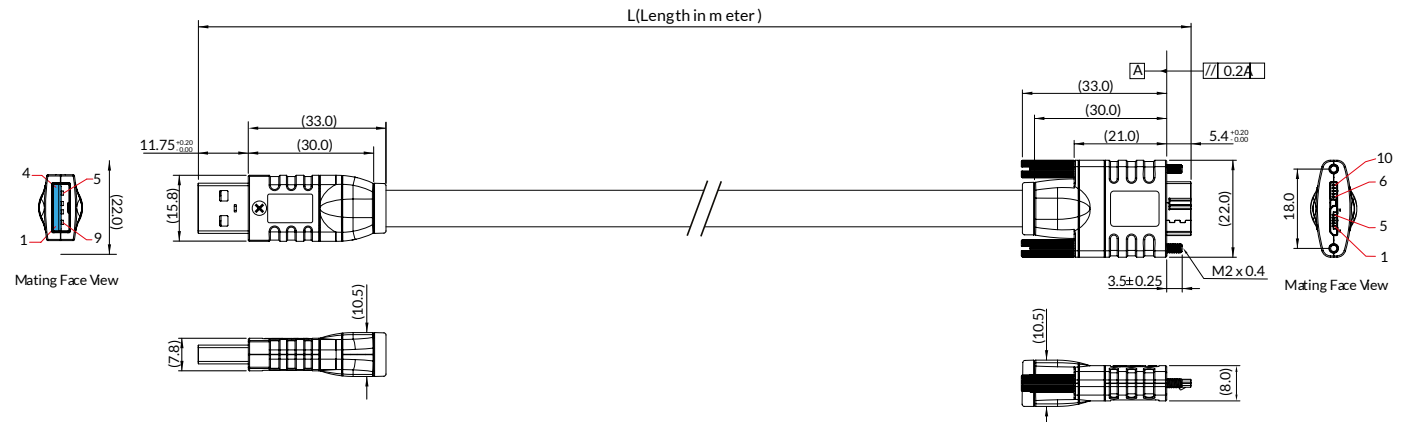
CBL-USB3-AUB-MM-xMO

USB 3.2 Gen 1x1 copper cable, A plug to Micro-B plug, without locking screws. Available lengths: 2 / 3 / 5 m. For board level cameras only.



CBL-USB3-AUBS-MM-xMO

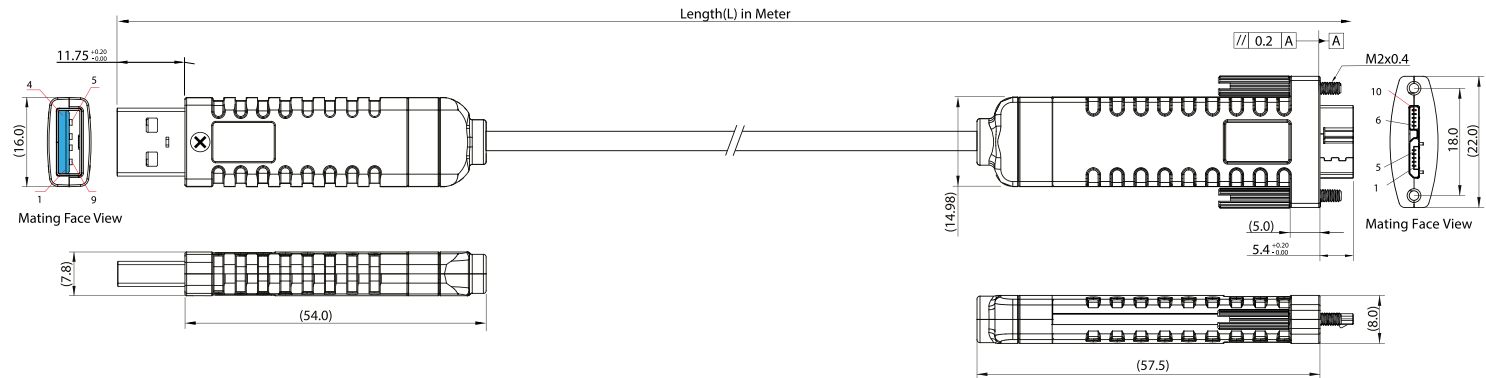
USB 3.2 Gen 1x1 copper cable, A plug to Micro-B plug, with locking screws. Available lengths: 1 / 3 / 5 / 8 m.



"x" in product names refers to cable length. Different cable lengths have specific part number.

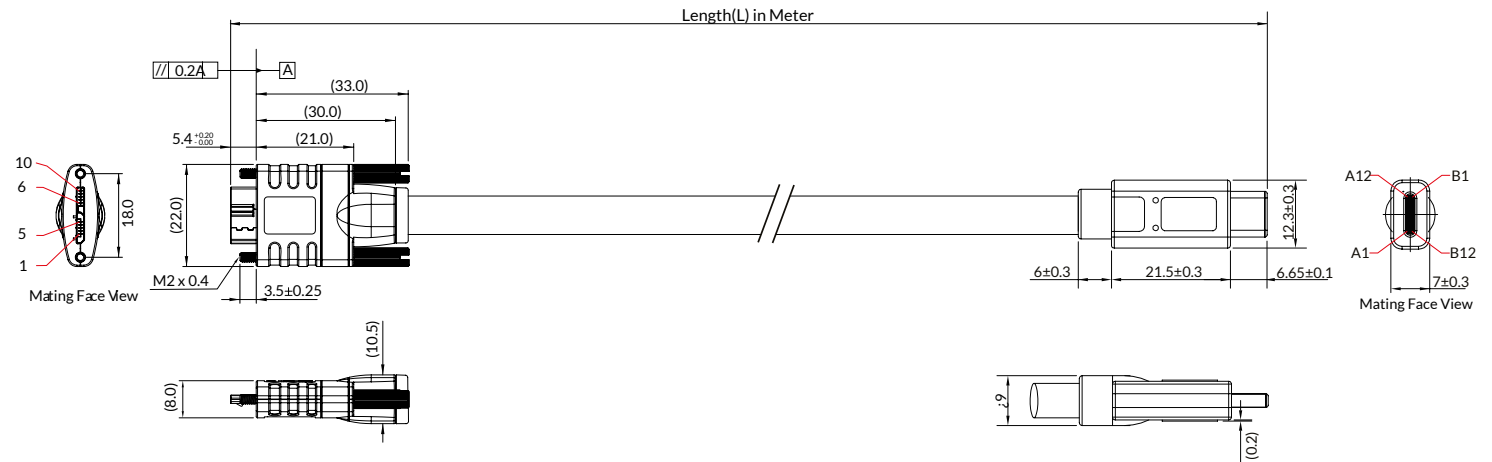
CBL-AO-USB3-AUBS-MM-XMO

Active USB 3.2 Gen 1x1 optical cable, A plug to Micro-B, with locking screws. Available lengths: 5 / 10 / 15 / 20 / 25 / 30 / 50 m.



CBL-USB3-CUBS-MM-5MO

USB 3.2 Gen 1x1 copper cable, C plug to Micro-B plug, with locking screws. Available length: 5 m.



"x" in product names refers to cable length. Different cable lengths have specific part number.

03 USB3 angled cables

	Type	Length	OD ø	Connectors	Gender	Screws	Compatibility
CBL-USB3-AUBS-MM-3M0-A1	USB 3.2 Gen 1x1 copper cable	3 m	6,2 mm	A / MicroB A1*	Male / Male	○ / ●	-
CBL-USB3-AUBS-MM-5M0-A1	USB 3.2 Gen 1x1 copper cable	5 m	6,2 mm	A / MicroB A1*	Male / Male	○ / ●	-
CBL-USB3-AUBS-MM-3M0-A32	USB 3.2 Gen 1x1 copper cable	3 m	6,2 mm	A / MicroB A32*	Male / Male	○ / ●	-
CBL-USB3-AUBS-MM-3M0-A34	USB 3.2 Gen 1x1 copper cable	3 m	6,2 mm	A / MicroB A34*	Male / Male	○ / ●	-
CBL-USB3-UBUBS-FM-0M3	USB 3.2 Gen 1x1 adapter	0,3 m	6,2 mm	MicroB PM / MicroB	Female / Male	● / ●	OPT
CBL-USB3-UBUBS-FM-0M3-A1	USB 3.2 Gen 1x1 adapter	0,3 m	6,2 mm	MicroB PM / MicroB 90° A1*	Female / Male	● / ●	OPT
CBL-USB3-UBUBS-FM-0M3-A3	USB 3.2 Gen 1x1 adapter	0,3 m	6,2 mm	MicroB PM / MicroB 90° A3*	Female / Male	● / ●	OPT
CBL-USB3-UBUBS-FM-0M3-A12	USB 3.2 Gen 1x1 adapter	0,3 m	6,2 mm	MicroB PM / MicroB 90° A12*	Female / Male	● / ●	OPT
CBL-USB3-UBUBS-FM-0M3-A14	USB 3.2 Gen 1x1 adapter	0,3 m	6,2 mm	MicroB PM / MicroB 90° A14*	Female / Male	● / ●	OPT
CBL-USB3-UBUBS-FM-0M3-A32	USB 3.2 Gen 1x1 adapter	0,3 m	6,2 mm	MicroB PM / MicroB 90° A32*	Female / Male	● / ●	OPT
CBL-USB3-UBUBS-FM-0M3-A34	USB 3.2 Gen 1x1 adapter	0,3 m	6,2 mm	MicroB PM / MicroB 90° A34*	Female / Male	● / ●	OPT
CBL-USB3-AC-MM-3M0-A2	USB 3.2 Gen 1x1 copper cable	3 m	6,2 mm	A / C A2*	Male / Male	○ / ○	-
CBL-USB3-AC-MM-5M0-A2	USB 3.2 Gen 1x1 copper cable	5 m	6,2 mm	A / C A2*	Male / Male	○ / ○	-

*"Ayy" refers to angled cables configuration | OPT: Optical cables only | PM: Panel Mount | ●: connector with screws | ○: connector without screws

How to read cable codes

“x” in product names refers to cable length. Different cable lengths have specific part number.

“Ayy” refers to angled cables configuration.

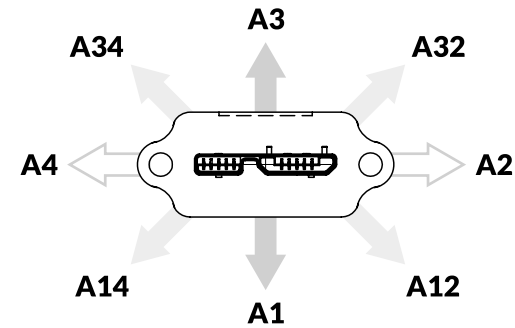
“A” denotes an angled cable. “yy” points out the cable orientation on the Micro-B USB3 plug.

For example, A1 cable has a down oriented wire, while A34 cable has a up-left oriented wire.

It’s possible to choose the best fitting solution for any application.

If a cable is not in this catalog, we can customize it for you.

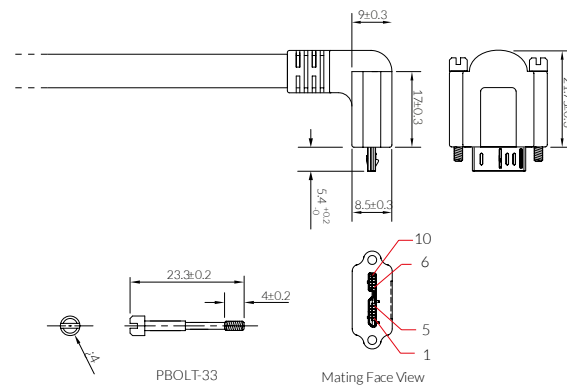
Just contact us at sales@alergia.com to have more details.



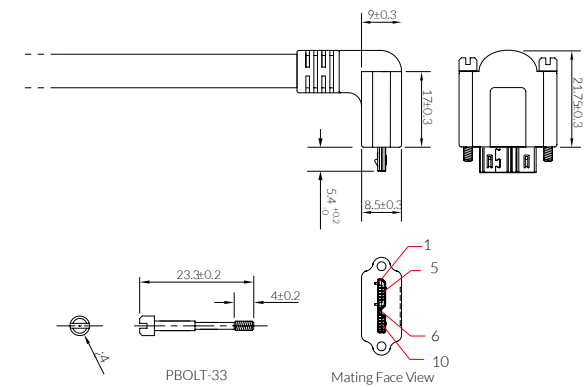
CBL-USB3-AUBS-MM-xMO-Ayy

USB 3.2 Gen 1x1 copper cable, A plug to angled Micro-B plug, with locking screws. Available lengths: 3 / 5 m.

CBL-USB3-AUBS-MM-xMO-A1

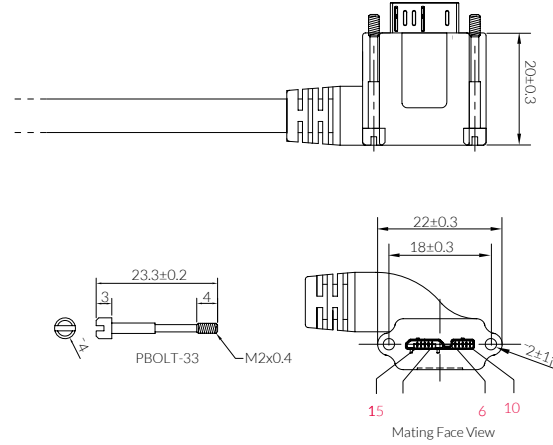


CBL-USB3-AUBS-MM-xMO-A3

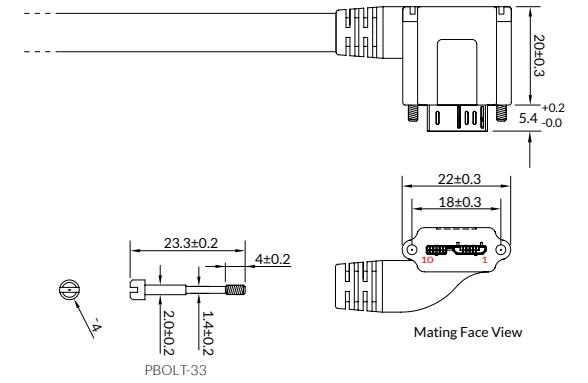


The “x” in product names refers to cable length. Different cable lengths have different part number

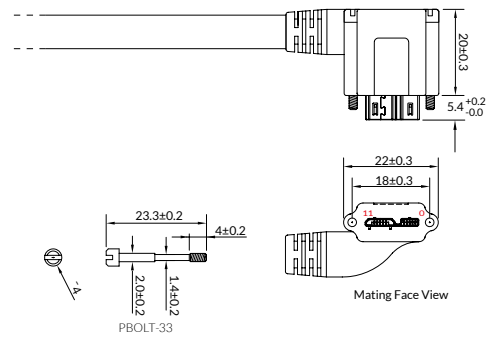
CBL-USB3-AUBS-MM-xM0-A12



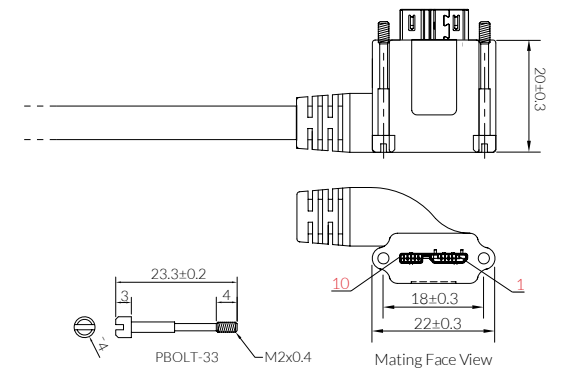
CBL-USB3-AUBS-MM-xM0-A14



CBL-USB3-AUBS-MM-xM0-A32



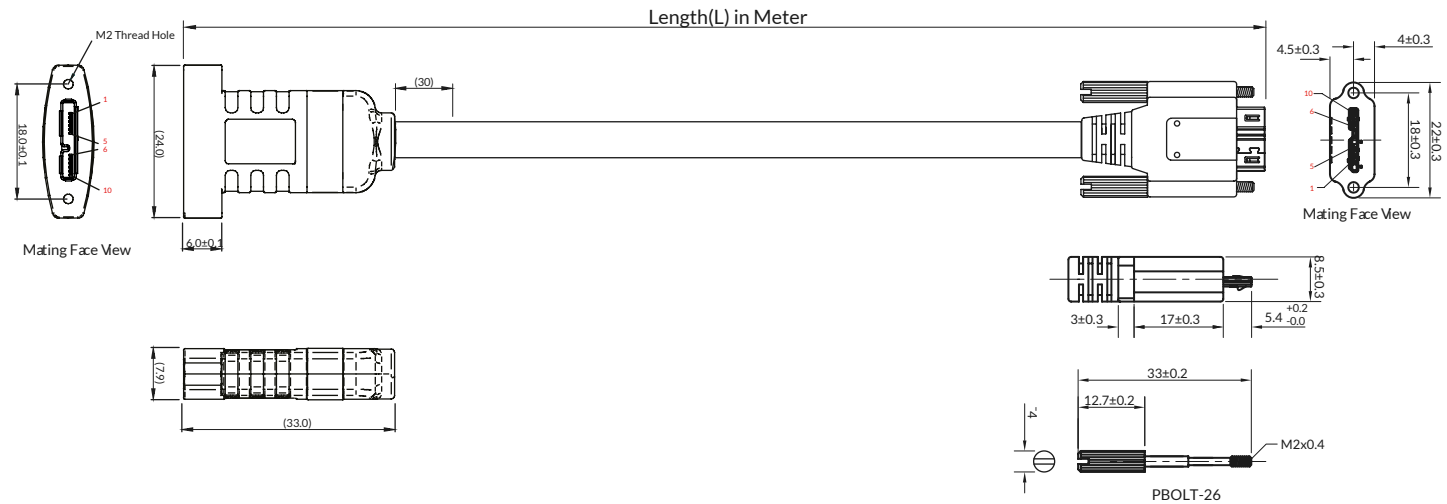
CBL-USB3-AUBS-MM-xM0-A3



The "x" in product names refers to cable length. Different cable lengths have different part number

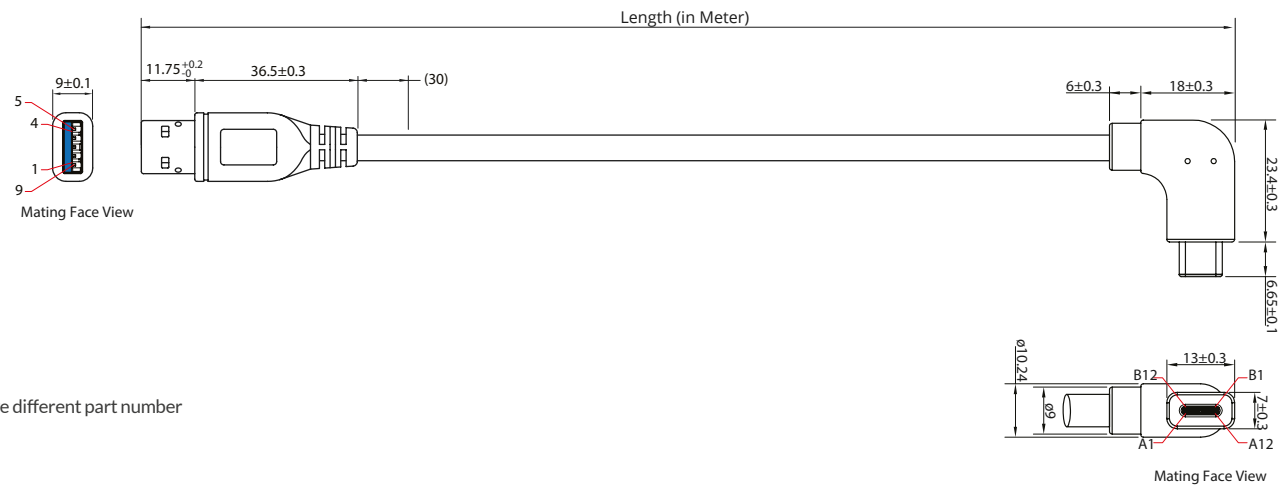
CBL-USB3-UBUBS-FM-OM3

USB 3.2 Gen 1x1 copper cable, Micro-B panel mount socket to Micro-B plug, with locking screws. Available with angled Micro-B plug. Available lengths: 3 / 5 m.



CBL-USB3-AC-MM-xMO-A2

USB 3.2 Gen 1x1 copper cable, A plug to angled C plug, without locking screws. Available lengths: 3 / 5 m.



The "x" in product names refers to cable length. Different cable lengths have different part number

